


		NAME	DATE
	DRAWN	WML	29-06-2012
	APPR	STS	24-08-2012
	MATERIAL:		
	WEIGHT:		


**UNIVERSAL ROBOTS**  
 TEL: +45 89 93 89 89 FAX: +45 38 79 89 89 WEB: universal-robots.com

TITLE:  
UR10 working area, side view

LAST SAVED: 24. august 2012 11:00:03

DWG NO. \_\_\_\_\_ REV. \_\_\_\_\_

**PROPRIETARY AND CONFIDENTIAL**  
 THE INFORMATION CONTAINED IN THIS  
 DRAWING IS THE SOLE PROPERTY OF UNIVERSAL  
 ROBOTS. ANY REPRODUCTION IN PART OR AS A  
 WHOLE WITHOUT THE WRITTEN PERMISSION OF  
 UNIVERSAL ROBOTS IS PROHIBITED

1

2

3

4

A

A

B

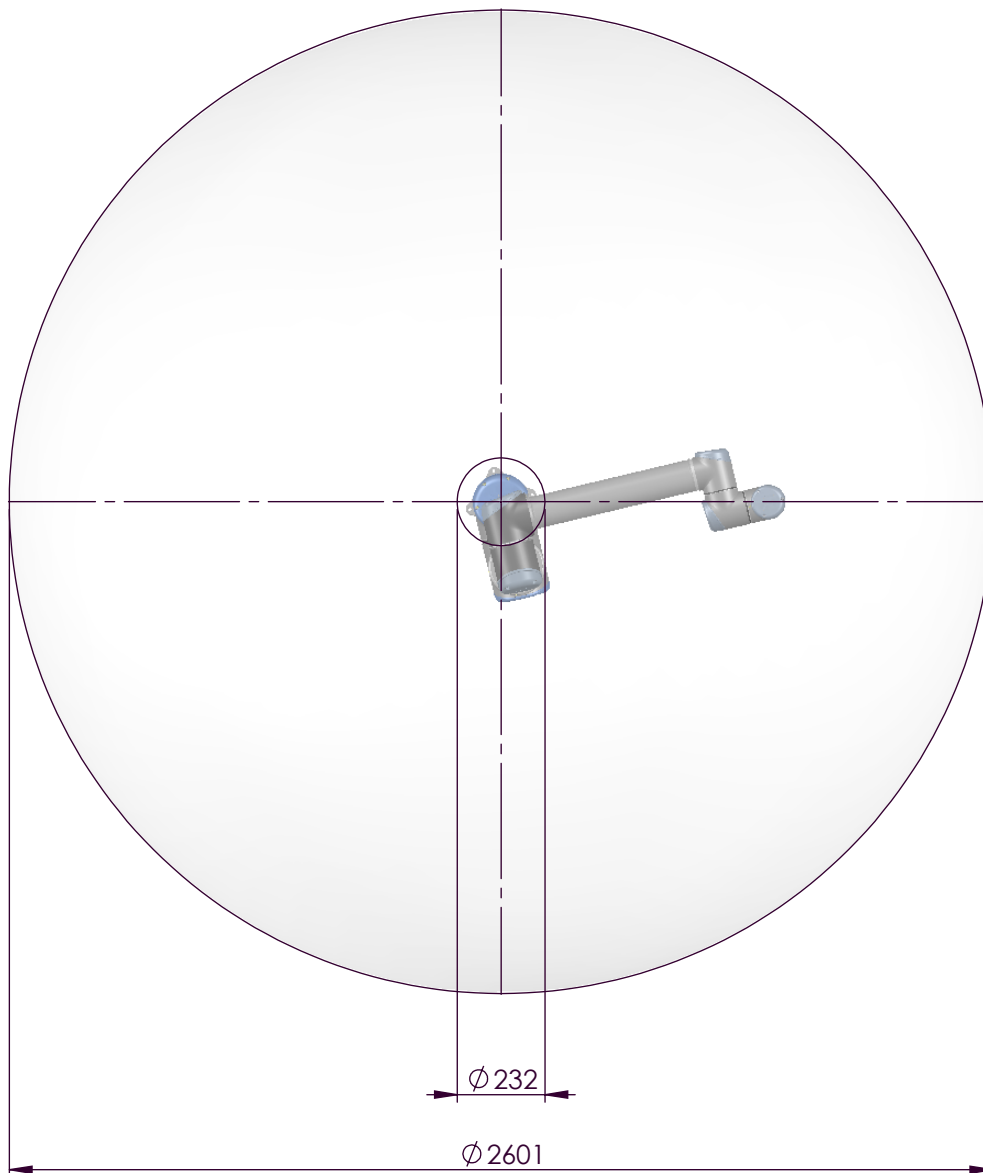
B


C

C

D

D



PROPRIETARY AND CONFIDENTIAL THE INFORMATION CONTAINED IN THIS DRAWING IS THE SOLE PROPERTY OF UNIVERSAL ROBOTS. ANY REPRODUCTION IN PART OR AS A WHOLE WITHOUT THE WRITTEN PERMISSION OF UNIVERSAL ROBOTS IS PROHIBITED		NAME	DATE	 <b>UNIVERSAL ROBOTS</b> TEL: +45 89 93 89 89 FAX: +45 38 79 89 89 WEB: universal-robots.com	
	DRAWN	WML	29-06-2012		
	APPR	STS	24-08-2012		
	TITLE:				UR10 working area, top view
LAST SAVED: 24. august 2012 11:00:03			DWG NO.	REV.	
MATERIAL:					
WEIGHT:					
Location: X:\Mekanisk Udvikling\UR10\CAD\Simple robot UR10\				SCALE:1:20	SHEET 2 OF 3
				SIZE	A4

1

2

3

4

A

A

B

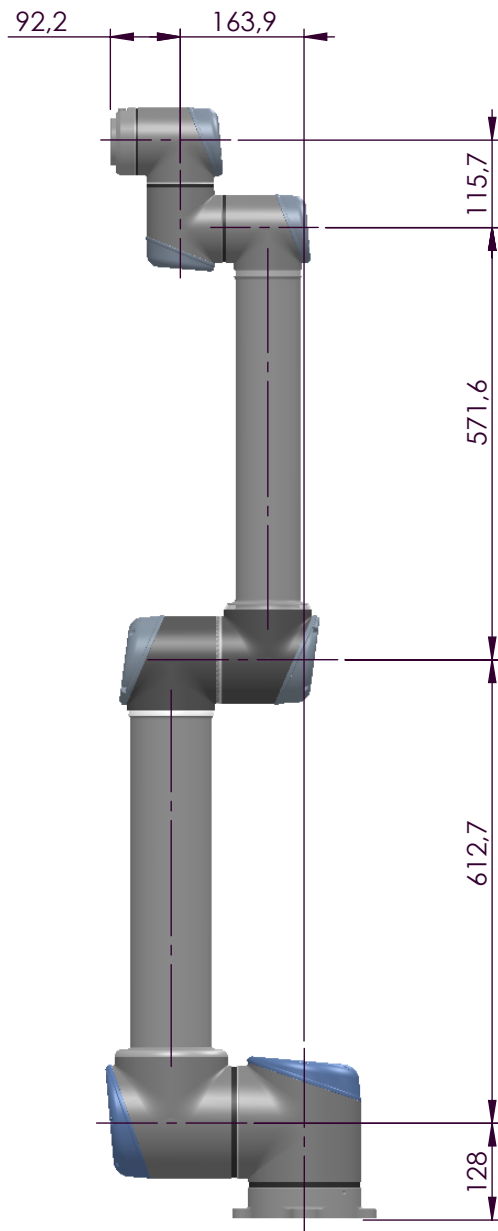
B

C

C

D

D



		NAME	DATE
	DRAWN	WML	29-06-2012
	APPR	STS	24-08-2012
PROPRIETARY AND CONFIDENTIAL THE INFORMATION CONTAINED IN THIS DRAWING IS THE SOLE PROPERTY OF UNIVERSAL ROBOTS. ANY REPRODUCTION IN PART OR AS A WHOLE WITHOUT THE WRITTEN PERMISSION OF UNIVERSAL ROBOTS IS PROHIBITED	MATERIAL:		
	WEIGHT:		



# UNIVERSAL ROBOTS

TEL: +45 89 93 89 89 FAX: +45 38 79 89 89 WEB: universal-robots.com

TITLE:	
UR10 Robotarm, dimensions	
LAST SAVED: 24. august 2012 11:00:03	
DWG NO.	REV.
SCALE:1:20	SHEET 3 OF 3
SIZE A4	