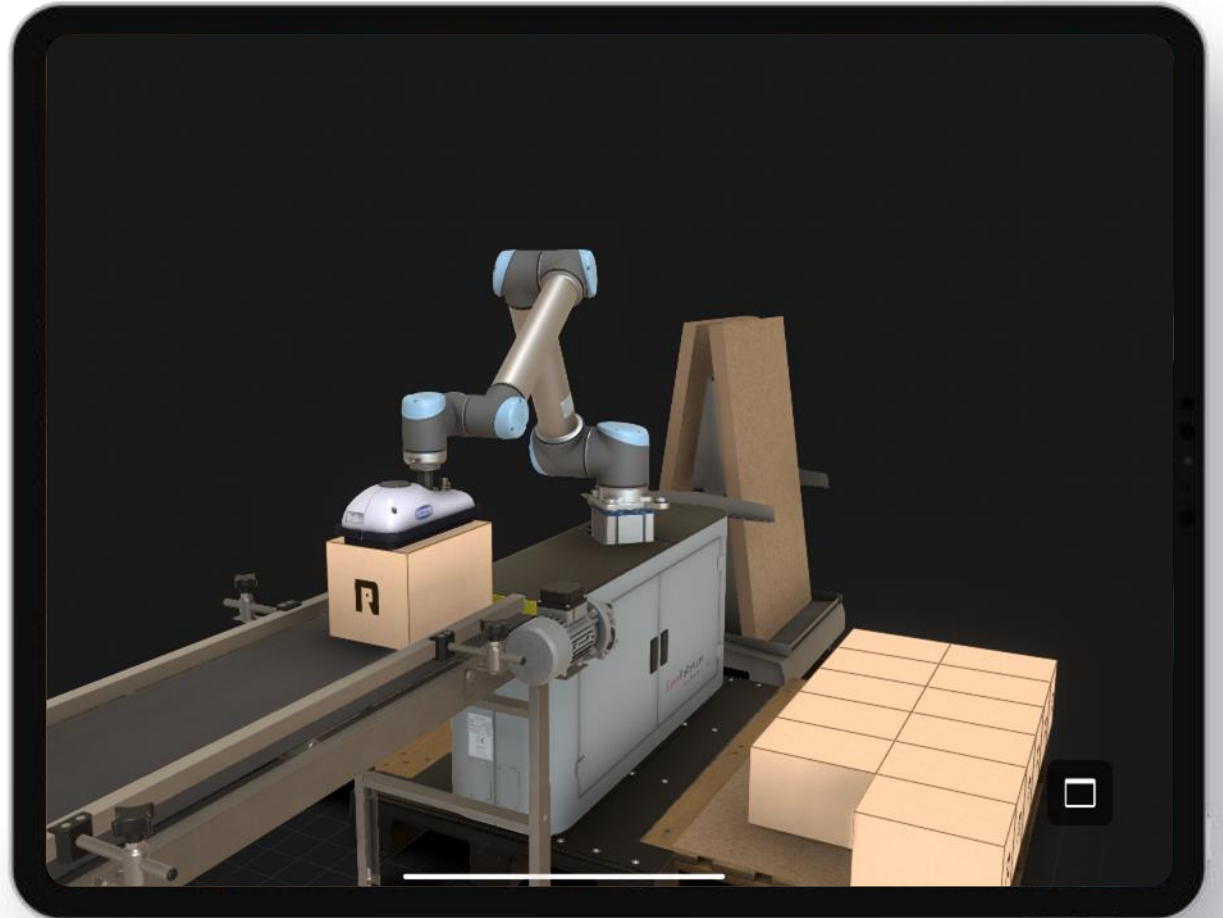
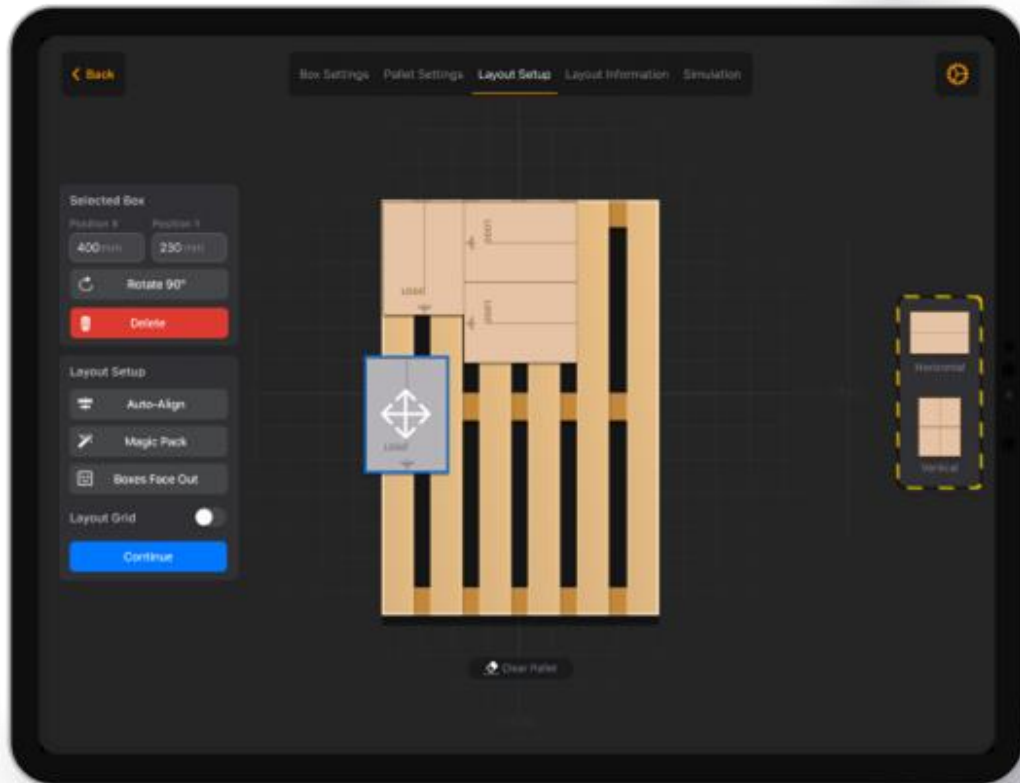




OmniPack

Increase palletizer lifetime and simplify configuration with a cutting-edge software



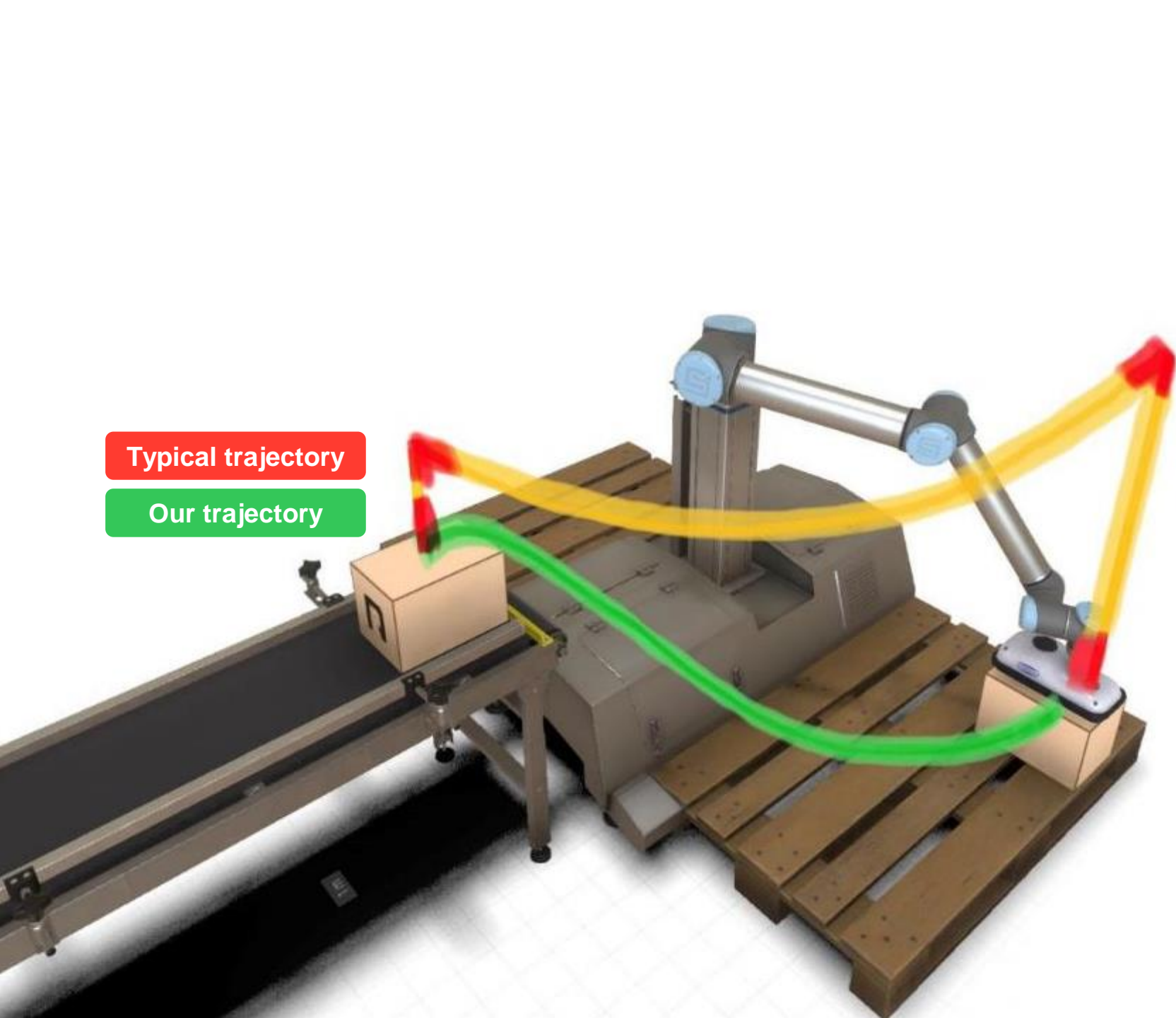


As simple as possible

Use your robot the same way you are using your smartphone.

No code. No hustle. Zero knowledge required.

Just tell the robot what to do and enjoy.



Typical trajectory

Our trajectory



As efficient as possible

State-of-the-art trajectory planning algorithm makes the robot work faster and incredibly smoother

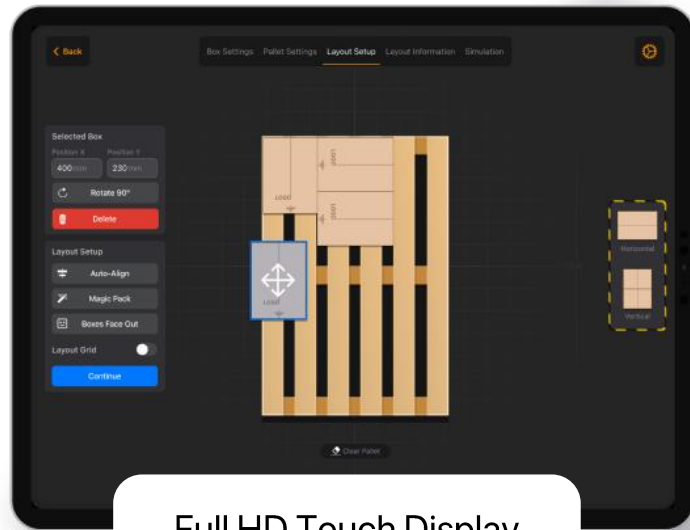


Smart and Reliable

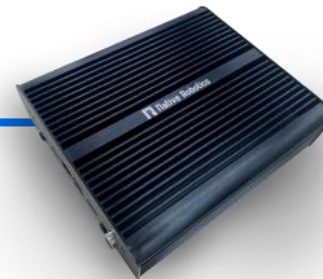
Comprehensive error handling system automatically analyze and try to recover from any issue to secure non-stop production

Plug-n-Play

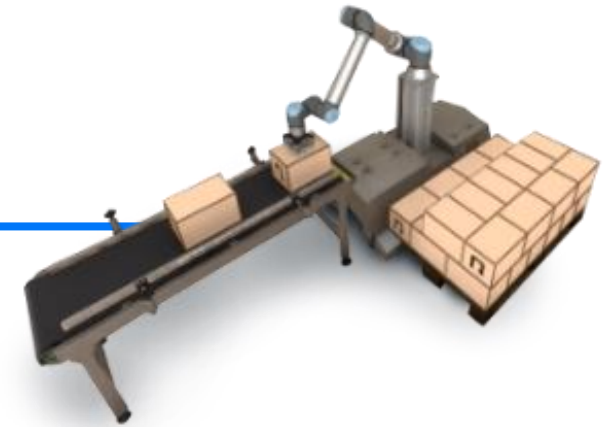
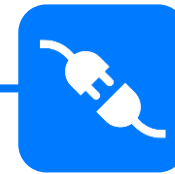
If we were showing you the live demo, we would have finished it before you got here



Full HD Touch Display



Compact industrial PC



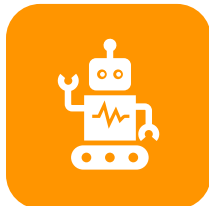
What it means for your business

50% Cost reduction on maintenance and reprogramming

Easy



System set-up takes less than 10 minutes



The whole system reconfiguration in under 2 minutes

Efficient



20% shorter cycle-time



30% palletizer life-time increase

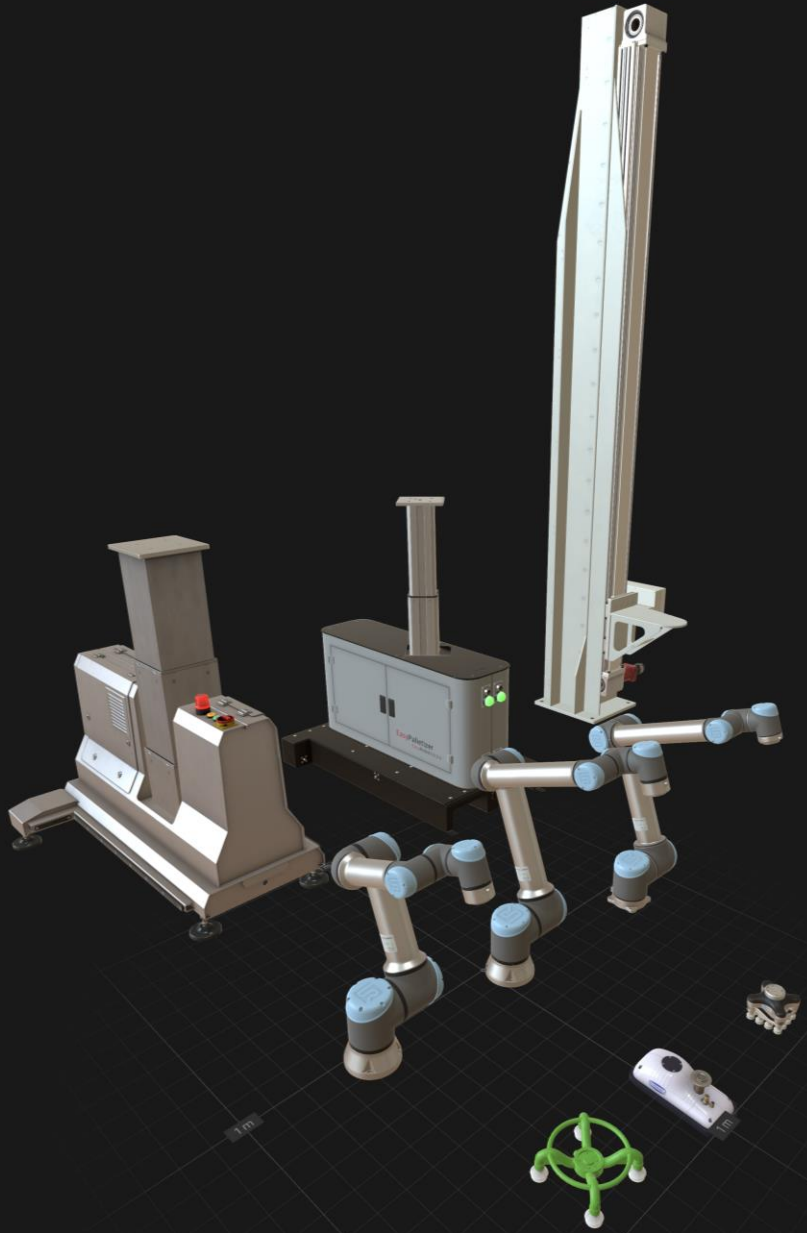
Reliable



Comprehensive error handling



Self-Recovering



We support many UR+ products



...and more

We can include your custom hardware as well

The app has advanced settings and callback functionality, supports Modbus TCP and Ethernet IP protocols as well as Omron and Siemens PLC communication

**OmniPack is certified
by the leading collaborative robots' producer**



A robotic arm is positioned on a beach, with waves crashing in the background. The arm is mounted on a wooden structure. A semi-transparent black box with the text "Thank You!" is overlaid on the image. The scene is set during sunset or sunrise, with a warm, golden light. The robotic arm is a dual-jointed arm, and the wooden structure it sits on has several compartments and a table-like surface. The beach is sandy, and the ocean waves are white with foam. The sky is a mix of blue and orange.

Thank You!