



# temboo



EFFICIENT, FLEXIBLE AND EASY TRANSPORTATION OF PALLETS

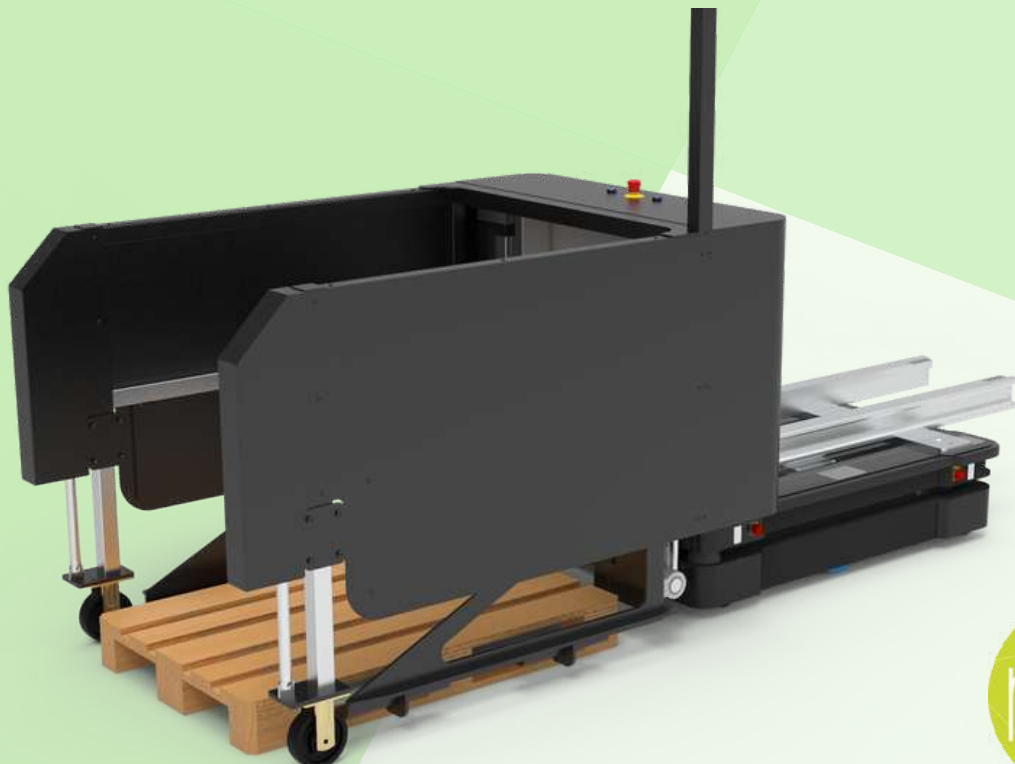
[www.mtstech.eu](http://www.mtstech.eu)

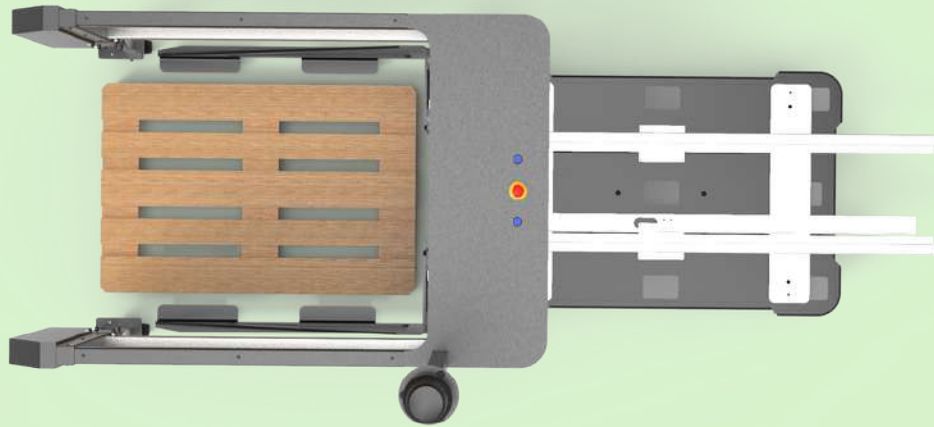


# Tembo is designed to pick up and drop off pallets from the ground



The first mouse-like AMR robot design capable of picking up pallet and deliver pallets at ground level. With its robust system can pick up pallets of up to 1000 Kg. Without physical barriers, without elements static, Tembo serves to have a free layout.



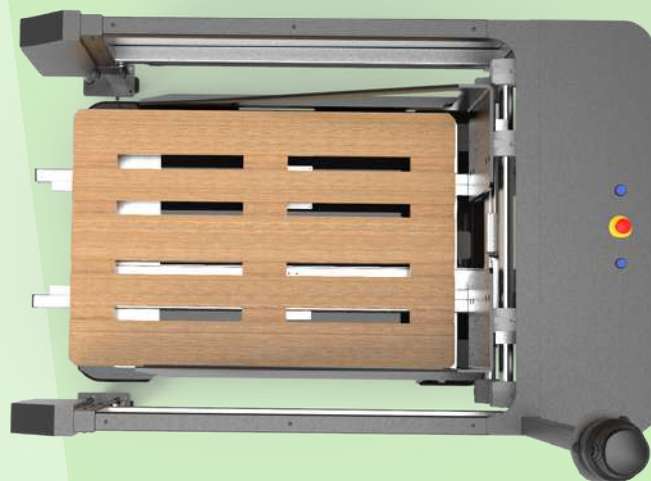


## Maximum expression the flexibility of mobile robotics

Tembo is used to have a flexible layout. This system offers reliable and highly efficient solutions. It can be programmed to perform multiple tasks and will adapt to your production line without the need for costly customization.

The fields of application are infinite, since in any layout where you want to automate internal transport, you can use the Tembo solution.

Thanks to our software, implementation is easy and Tembo is supplied ready to use. The number of missions you can do is unlimited and can be controlled by the user.

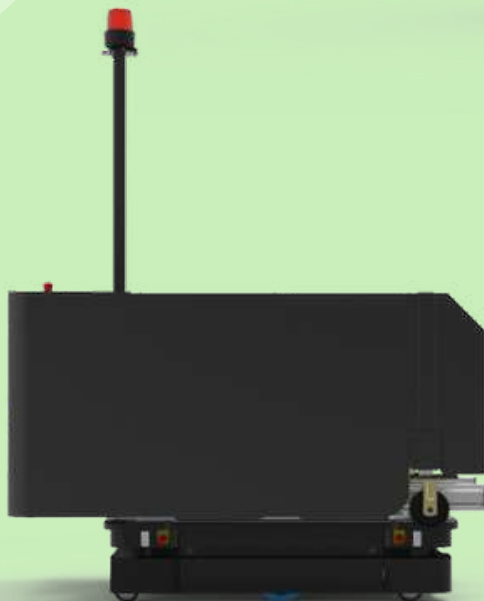
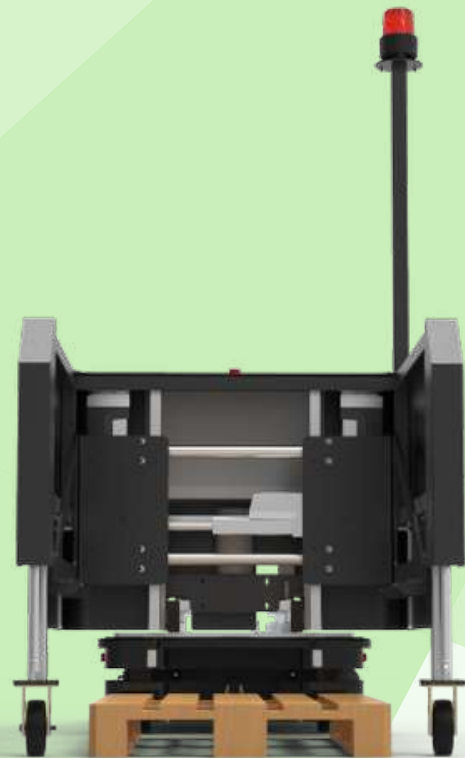


## Advantages

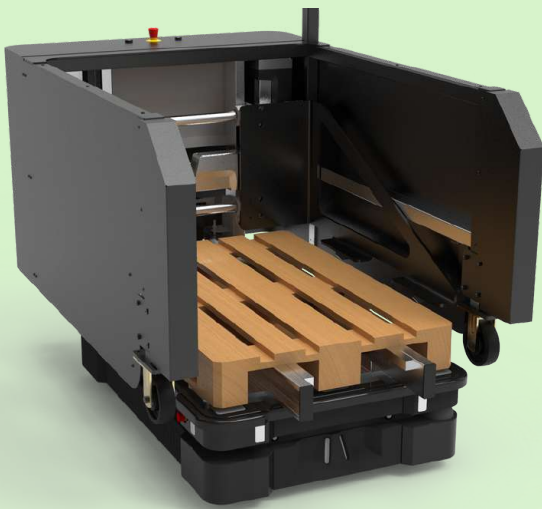
- Ground level pickup and delivery
- Risk free solution
- increase in flexibility
- Layout without elements static
- 100% operation autonomous
- Reduced implementation costs



tembo



# Specifications



**Compatibility** MiR500 / MiR600 / MiR1000 / MiR135

**Pallet compatibility** EU Pallet and half EU Pallet

**unladen weight** 150kg/330lbs

**Colour** RAL 9005 Signal black

**Loading capacity** 1000kg / 2200lbs

**Cycle time** 60s

**Battery** Robot Battery Usage

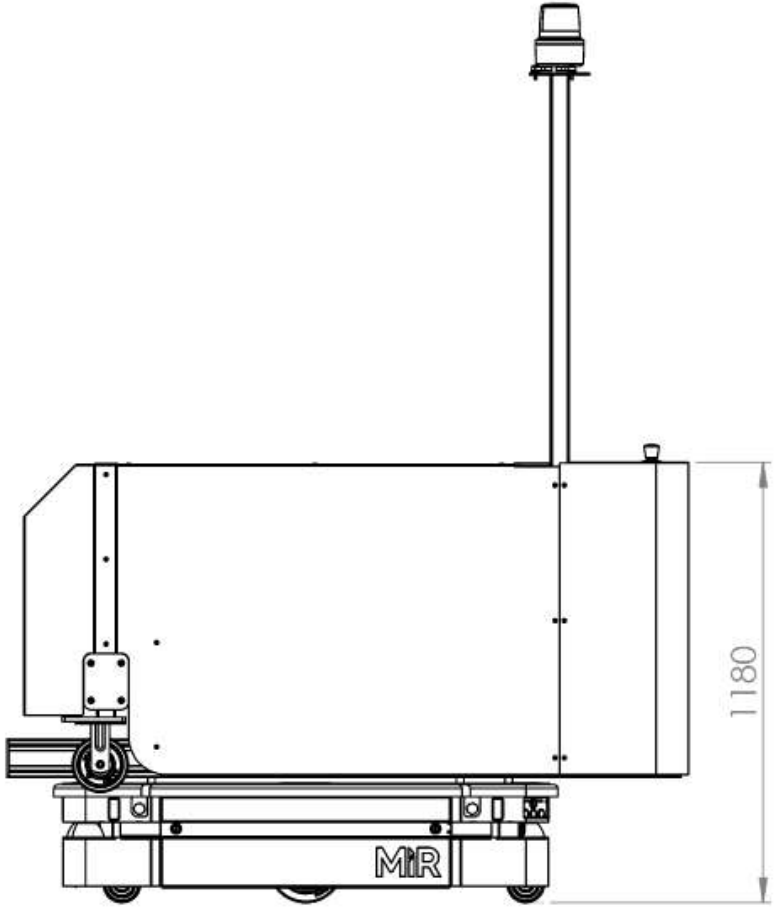
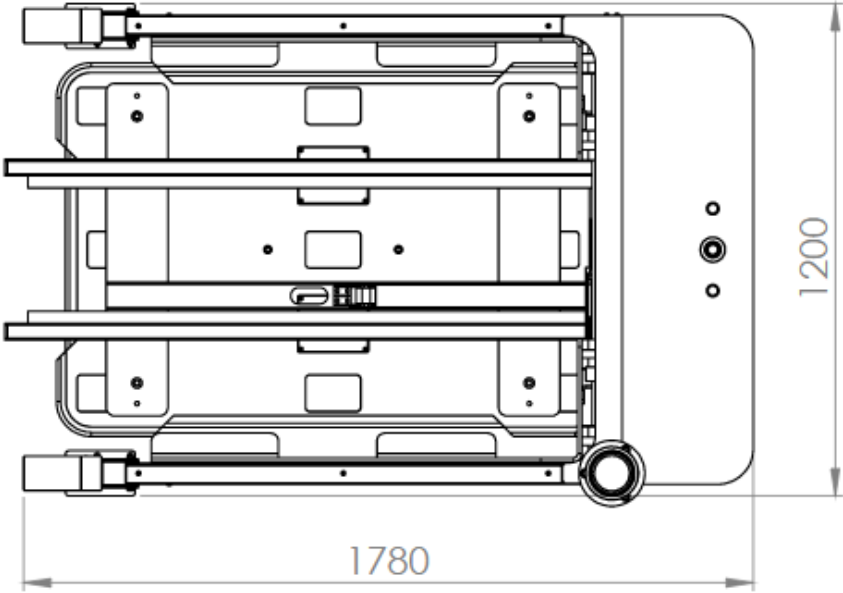
**Loading time** Up to 3 hours (0-80%: 2 hours)

**Around** From +5 to 40°C (Humidity 10-95%)

**Certifications** CE certification

**Communication** Wi-Fi through the robot

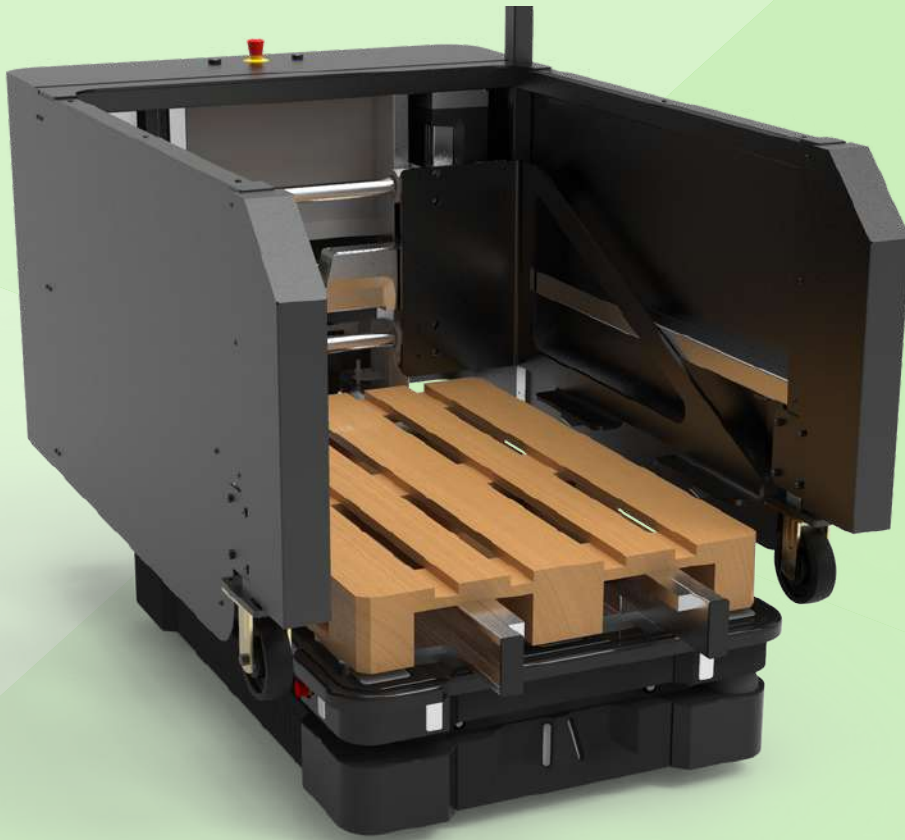
# Dimensions







tembo



[www.mtstech.eu](http://www.mtstech.eu)  
[info@mtstech.eu](mailto:info@mtstech.eu)

